

DATA SHEET: LED HIGH BAY GENERATION-2 (PT-MHB02)

The PATRIOT LED High Bay Generation-2 LED luminaires offer energy savings and high performance, suitable for commercial, retail and institutional applications including gymnasiums, factories and warehouses.

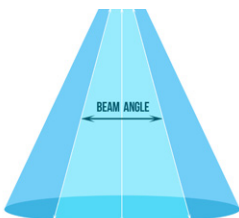
Our LED High Bay Generation-2 are backed with our industry-leading more than 100,000-hour rated lamp life and 10-year warranty. See Ordering Model table below for our BAA compliant products. Contact us for pricing or more information.

PRODUCT FEATURES

- Sealed die-casting pro le for indoor and outdoor applications.
- Voltage is 120-277V.
- Lumen output from 14000-24000lm with efficacy up to 140lm/W.
- Superior colour rendition index compared to HPS.
- Increase energy savings with bi-level Motion sensor.
- Replacing 250W MH and 400W MH.
- Operating temperature is -40°C to 55°C (-40°F to 131°F).
- UL/cUL and DLC pending.
- Rated Life: 100,000 hrs.
- Limited Warranty: 5 years (10yrs optional).

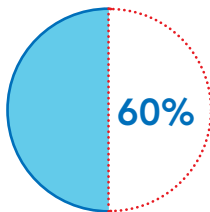


BEAM ANGLE



Patriot LED Light Distribution

CAN DECREASE ENERGY USAGE BY



vs. Similar Fluorescent Lamps

WARRANTY



Our Industry-Leading 10-Year Limited Warranty Guarantees Unsurpassed Quality

APPLICATIONS

- Commercial.
- Retail.
- Gymnasiums.
- Factories
- Warehouses.



ORDERING MODEL

Fixture Type (PT-HB)	WATTAGE	IN PUT VOLTAGE	CCT	FINISH	SENSOR (OPTION)
PT-MHB02 = High Bay Series	100W 100Watts 180W 180Watts	27V 120-277V	40K 4000K 50K 5000K	D Dark Bronze B Black W White	M With Sensor Blank Without Sensor
Product Code: Example					
PT-MHB02 100W 27V 50K YY					

PRODUCT SPECIFICATION

Product No.	BAA/TAA Option*	PHOTOMETRY	Watts	VOLTAGE	4000K (70CRI)		5000K(70CRI)	
					Lumens	LPW	Lumens	LPW
PT-MHB02 100W 27V 50K YY	Yes	High Bay	100W	120-277VAC	14000lm	140 lm/W	14000lm	140 lm/W
PT-MHB02180W 27V 50K YY	Yes	High Bay	180W	120-277VAC	24000lm	133 lm/W	24000lm	133 lm/W

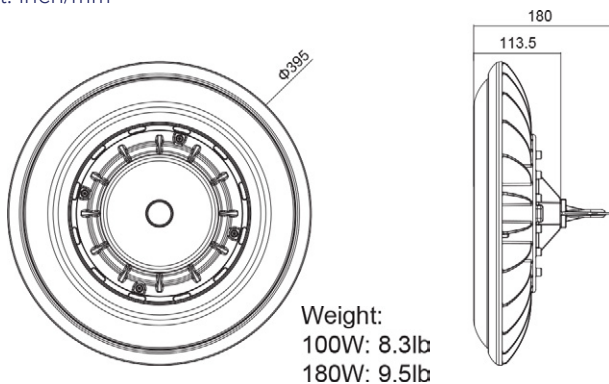
ELECTRICAL DATA

Number Of Drivers	Driver Current (Amps)	Nominal Power (W)	INPUT VOLTAGE (V)	CURRENT (Amps)
1	2600	100	120	0.83
		100	208	0.48
		100	240	0.42
		100	277	0.36
2	4540	180	120	1.50
		180	208	0.87
		180	240	0.75
		180	277	0.65



DIMENSION

unit: inch/mm



PHOTOMETRICS

General

